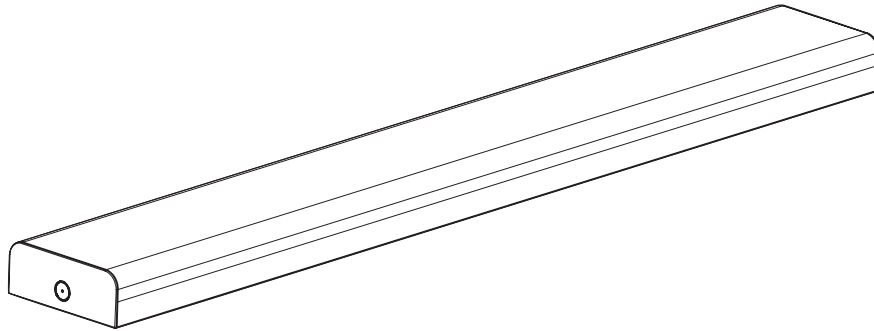


WIDE BATTEN 1500



	W	K	L x W x H (mm)	Dimmable	V _{Ac}	lm/W	Input Current (mA)	Ra	Beam Angle	Ta (°C)	PF	👤
LDVAL BAT 1500 40/60W 830/840 4X1 AU LEDV	40/60	3000/4000	1500x160x62	no	220-240V	100	180/270	80	120°	-20...+40	0.9	2360g



DUAL
WATTAGE

IP20

50000h



LEDVANCE

NOT FOR PRINT PRODUCTION!

WARNING:

This PDF file is for reference only and not to be used for the creation of production art. Colour printouts and screen displays should not be used for colour approval as colours may vary from device to device. The colour values for this file are defined in either Pantone (PMS), HKS, or in process colours (CMYK).

For obtaining hard-copies in actual size (1:1) you need to enter the proper settings in your printer options.

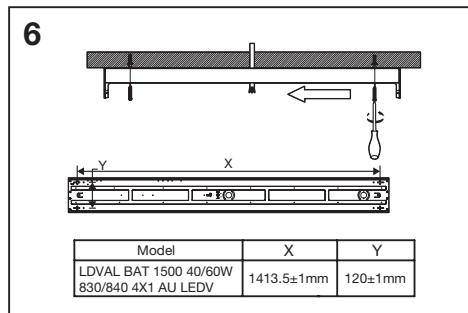
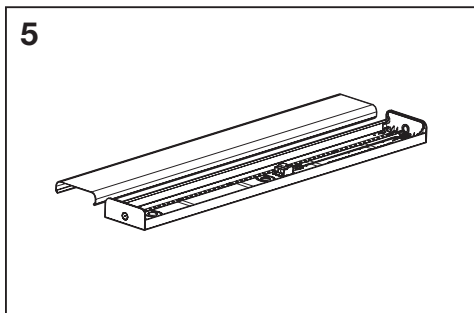
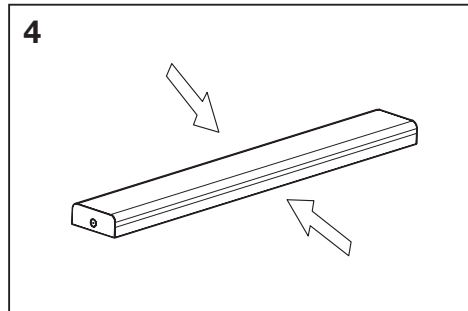
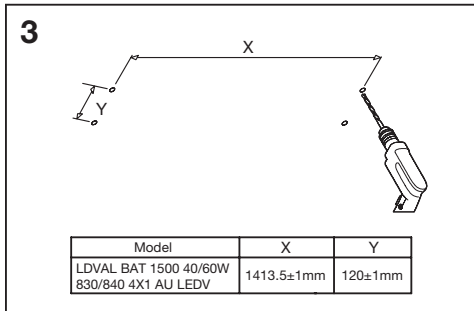
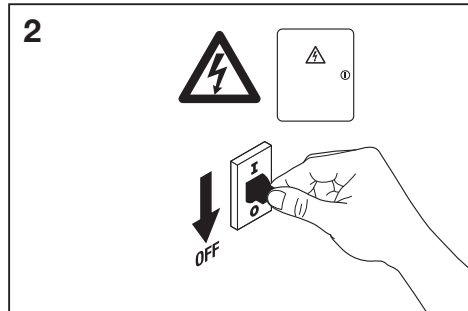
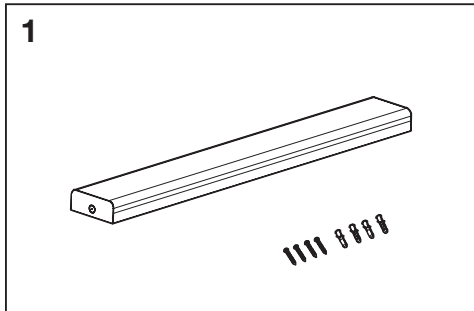
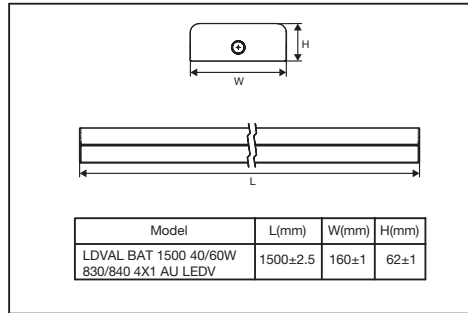
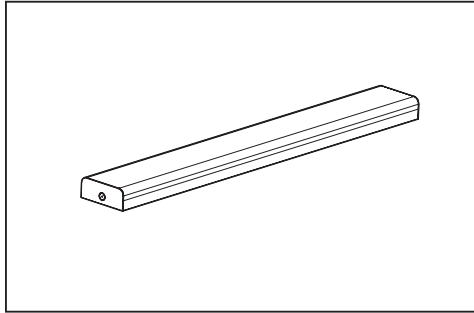
本品不可印刷生产

警告:

本PDF文档仅作为参照文件，不能将本档用于印刷生产或者制作菲林。本档的彩色打印版本或其于电脑屏幕中显示的色彩，不可用于最终的色彩参照。因为硬件或设备的差异，可能造成色彩的偏差。最终正式的色彩请遵照由色板卡片PMS，HKS或者CMYK(青红黄黑)所定义的色彩。若本档的打印件要获取1:1的原始尺寸，须在打印选项中作出相应的设置。

 LEDVANCE

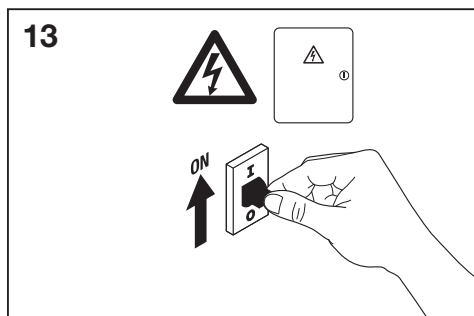
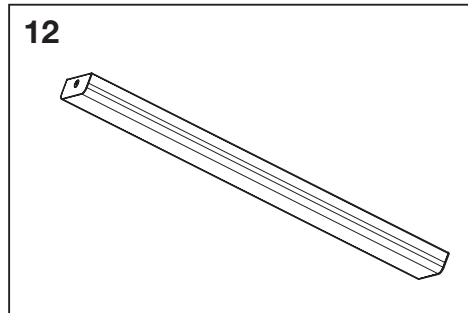
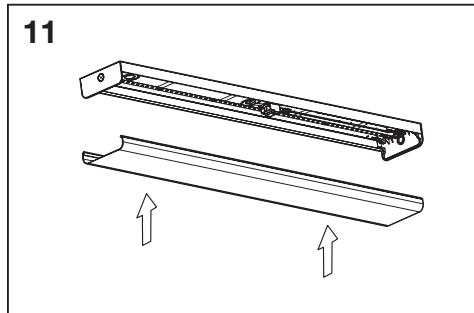
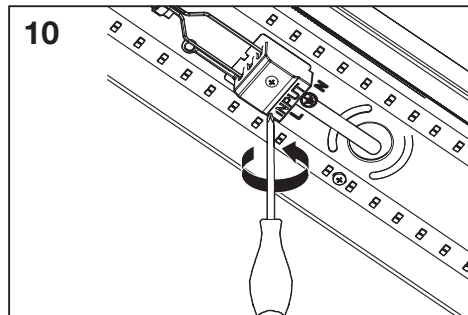
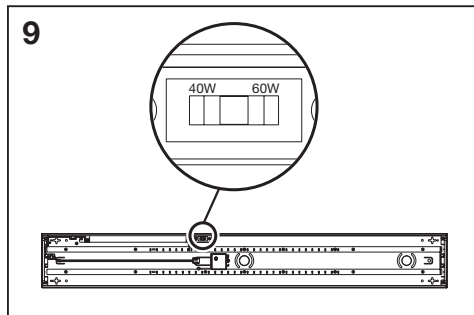
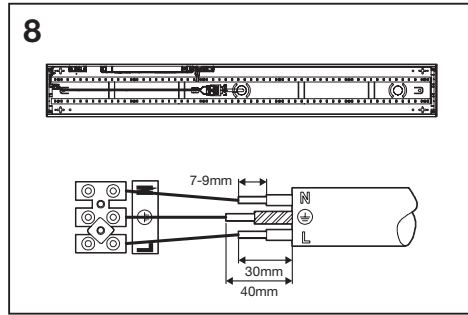
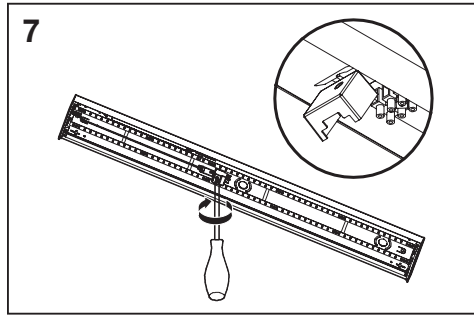
WIDE BATTEN 1500



2



WIDE BATTEN 1500



3



WARNINGS:

- This product must be installed by a licensed electrician strictly in accordance with the current revision of AS/NZS 3000 - Electrical Installations (Australian/New Zealand Wiring Rules).
- Avoid touching the LEDs.
- Please do not attempt to disassemble or change the construction of the luminaire or replace any of the parts to avoid the possibility of injury or product failure.
- Please keep this manual for future reference.
- This product is designed for indoor use only. It is not intended for installation in wet areas or where the location is exposed to the elements.
- Please note that the fixture is equipped with standard surge protection only. To protect the fixture from sags, surges, and lightning strikes, additional surge protectors must be deployed on the primary side.



WARRANTY AGAINST DEFECTS:

Your LEDVALUE WIDE BATTEN 1500 fitting from LEDVANCE comes with a product warranty (5 years) for quality assurance, the terms and conditions of which are set out in this document. The Warranty applies exclusively to LED Light Fittings from LEDVANCE purchased within Australia and New Zealand for normal domestic or commercial use.

IMPORTANT: Our goods come with guarantees that cannot be excluded under the Australian Consumer Law. You are entitled to a replacement or refund for a major failure and compensation for any other reasonably foreseeable loss or damage. You are also entitled to have the goods repaired or replaced if the goods fail to be of acceptable quality and the failure does not amount to a major failure.

© LEDVANCE Pty Ltd
ABN 34 050 103 181
Unit 3, 83 Derby Street
Silverwater, NSW, 2128, Australia
Ph +61 29481 8399 / 1300 467 726
www.ledvance.com.au



C10449057
G11203795
2024-07-25

www.ledvance.com